



## LED DUSTPROOF LIGHTING

### Parameters

#### Optical Parameters

CCT	5000K
Lumen Output(lm) ±5%	4000lm
Lumen Efficacy(LPS) ±5%	83lm/W
LED Type/Qt'y	SMD2835/252pcs
CRI/SDCM	>80/<6

#### Electrical Parameters

Rated Power(w) ±5%	48W
Rated/Actual Input	220-240Vac
Driver Output Data	60-75Vdc/700mA
Power Factor/THD/PE	>0.9
Driver/Connection	Integrated
Over Load/Short Circuit	Protection
Surge/Protection Class IEC	>1KV/CLASS II
Hi-pot Test Range	SELV Isolated driver, 3750Vdc/5mA/60S

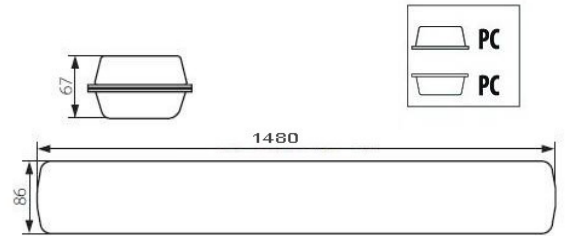
#### Life

Warranty	3 years
Lumen Maintenance 70%	35000hrs
LM80	97.34% lumen maintance@6000hrs

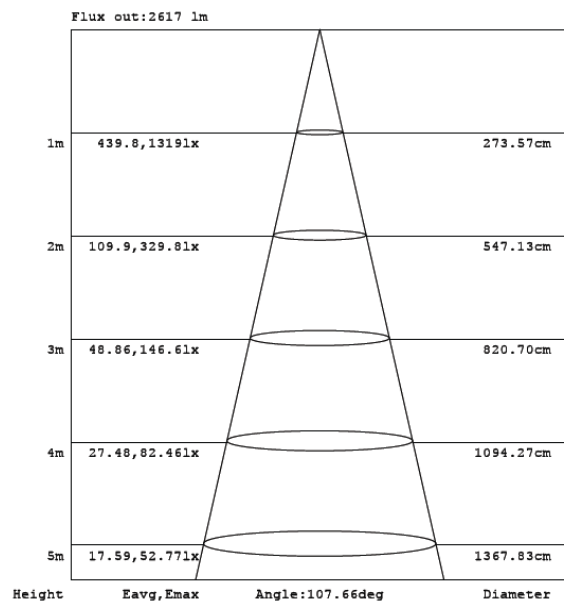
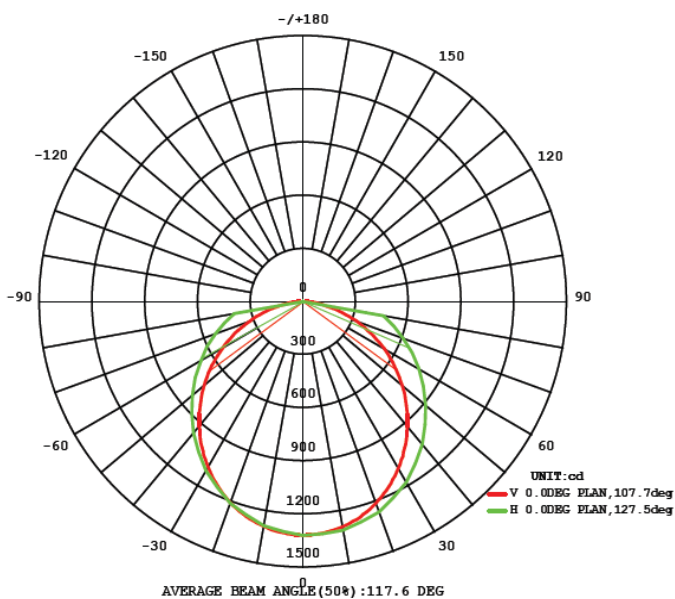
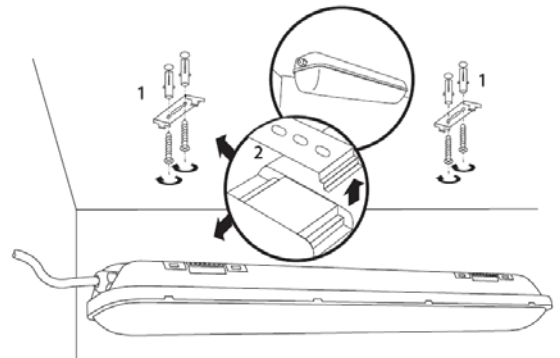
#### Others

IP/IK/Glow-wire	IP65/IK10/850°C
Temp./Humidity	Working:-20°C ~ 40°C Storage:<60°C
Net Weight	1.48kgs

### Product Dimension



**IK10**   **IP65**



## Quality LED Lighting